



VH 250 and VH 270 are small tandem vibratory rollers with an articulated frame and two smooth drums with a finished surface. Both drums are driven and vibrating. VH 250 K is a combined vibratory roller with an articulated frame. The front axle consists of a smooth vibratory drum with a machined surface, the rear axle is fitted with four rubber-tyred compaction wheels with a smooth tread. Both axles are driven. Vibration sources are one stage non-rectified vibration exciters placed in the drum axis. The drive of all machine functions is hydrostatical. The machine is equipped with Deutz engine, hydraulic Hydromatic-Rexroth. It fulfils the requirements of pollutants emission directives 97/68/ECE Stage 2 and EPA/CARB Tier 1. It meets the CE marking conditions.

STANDARD

VH 250 / VH 250 K / VH 270

- Operator platform without cabin with rails
- Lockable bonnet
- Lockable vandal guard
- Suspended operator's platform
- Forwards/backwards adjustable seat
- Seat with contact switch (for CE conformity)
- Both drums (drum) vibrating
- Transport lashing and lifting eyes front, rear
- Two scrapers per drum
- Plastic water tank
- One mode vibrators
- Operator can switch off/on a front/rear vibration
- Articulated frame
- Pre selection of the travel and vibration
- Vibration control in travel lever
- Both axes are hydrostatically driven
- Working halogen headlights
- Painting STA: yellow, grey

OPTIONS

VH 250 / VH 250 K / VH 270

- Diff lock
- ROPS protection (obligatory for CE)
- ROPS protection foldable
- ROPS canopy (mounted to ROPS)
- Beacon
- Back up alarm

MAXIMAL COMPACTED LIFT THICKNESS AT OPTIMAL WORKING CONDITIONS (m)

	Asphalt	Sand/Gravel	Mixed soils	Silt	Clay	Stabilization
VH 250	0,12 m	0,30 m	0,20 m	-	-	0,15 m
VH 250 K	0,10 m	0,20 m	0,15 m	-	-	0,10 m
VH 270	0,12 m	0,30 m	0,20 m	-	-	0,15 m



STAVOSTROJ, a.s.
 Náchodská 145, 549 01 Nové Město nad Metují, Czech Republic
 phone: +420 491 476 111
 fax: +420 491 470 215, 491 470 405
 e-mail: stavo@sta.cz, stasales@sta.cz, www.sta.cz

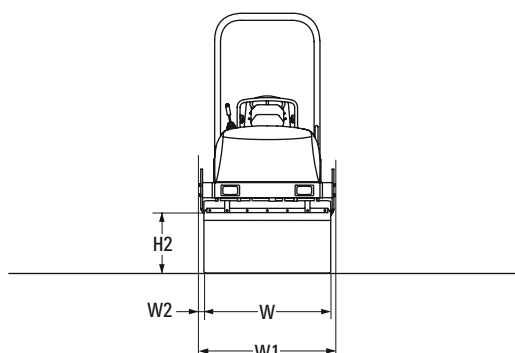
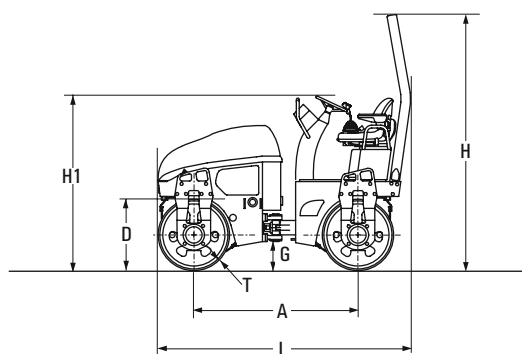
CERTIFICATED:
ISO 9001

VH 250, VH 270 VH 250 K



TANDEM & COMBINED ROLLERS (2.5 - 2.7 t)

size (mm)	A	D	G	H	H1	H2	L	T	W	W1	W2
VH 250	1715	738	310	2660	1825	590	2640	12	1000	1090	45
VH 250 K	1715	740	300	2660	1825	590	2680	12	1000	1090	45
VH 270	1715	738	310	2660	1825	590	2640	12	1200	1290	45



CAPACITY	VH 250	VH 250 K	VH 270
Operating weight (CECE)	2520 kg	2500 kg	2790 kg
Compacting width maximum	1000 mm	1000 mm	1200 mm
Drum offset	0 mm	0 mm	0 mm

WEIGHTS	VH 250	VH 250 K	VH 270
Operating weight maximum	2645 kg	2625 kg	2915 kg
Front drum load (CECE)	1185 kg	1250 kg	1320 kg
Rear drum load (CECE)		1250 kg	
Rear drum load (CECE)	1335 kg		1470 kg
Front drum linear load	11,8 kg/cm	12,5 kg/cm	11,0 kg/cm
Rear drum linear load	13,3 kg/cm		12,2 kg/cm

STEERING	VH 250	VH 250 K	VH 270
Steering angle (+ -)	33 deg	33 deg	33 deg
Oscillation angle (+ -)	10 deg	10 deg	10 deg
Turning radius inner (edge)	2400 mm	2480 mm	2300 mm
Turning radius outer (contour)	3465 mm	3465 mm	3550 mm
Transversal stability - straight	30 deg	30 deg	30 deg

RIDING CHARACTERISTIC	VH 250	VH 250 K	VH 270
No. of travel speeds	1	1	1
Maximal speed	13,6 km/h	11 km/h	13,6 km/h
Gradeability without vibration	30%	40%	40%
Gradeability with vibration	32%	32%	32%

BRAKES	VH 250	VH 250 K	VH 270
Operation	Hydrostatic	Hydrostatic	Hydrostatic
Parking	Multi disc	Multi disc	Multi disc
Emergency	Multi disc	Multi disc	Multi disc

VIBRATION	VH 250	VH 250 K	VH 270
Amplitudes	0,47 mm	0,47 mm	0,47 mm
Frequencies	53 / 62 Hz	53 / 62 Hz	53 / 62 Hz
Centrifugal forces	28,5 / 20,8 kN	28,5 / 20,8 kN	32,5 / 23,8 kN

WATERING	VH 250	VH 250 K	VH 270
Watering	Pressure	Pressure	Pressure
No. of pumps	1	1	1
Water filtration stages	2	2	2

TANKS	VH 250	VH 250 K	VH 270
Fuel	67 lt	67 lt	67 lt
Watering water	203 lt	203 lt	203 lt

ELEKTROINSTALLATION	VH 250	VH 250 K	VH 270
Voltage	12 V	12 V	12 V
Capacity of batteries	72 Ah	72 Ah	72 Ah

ENGINE	VH 250	VH 250 K	VH 270
Make	Deutz	Deutz	Deutz
Type	F2L1011F	F2L1011F	F2L1011F
Rated power	20 kW	20 kW	20 kW

Technical modifications and data reserved. Machines may be shown with options.



STAVOSTROJ, a.s.
 Náchodská 145, 549 01 Nové Město nad Metují, Czech Republic
 phone: +420 491 476 111
 fax: +420 491 470 215, 491 470 405
 e-mail: stavo@sta.cz, stasales@sta.cz, www.sta.cz

CERTIFICATED:
ISO 9001

