



is a new generation vibratory roller with the high comfort for an operator, up-to-date design with the "1 x 1 m" visibility and with an extremely low gravity centre. VV 700 D is designed for small and medium scale compaction of loose, semi-cohesive materials and stabilization. The machine is based on an articulated frame with a hydrostatic drive system of a smooth vibratory drum and two rubber tyred wheels. VV 700 PD is designed for small and medium scale compaction of semi-cohesive and cohesive materials. The machine is based on an articulated frame with a hydrostatic drive system of a padded vibratory drum and two rubber tyred wheels. Direct drive of the rear wheels through the hydromotors with gearboxes enables a very low built in mounting of the driving power unit, by keeping the minimal length of the machine. It offers to the user the advantage of an excellent view from the operator's place and excellent machine stability and manoeuvrability in comparison with the other machines, which are equipped with the rigid driving axles. The vibration source is a double staged undirected vibration exciter, placed in the centre of the drum. The machine is equipped with a hydrostatic drive of all machine functions, Cummins engine, hydraulic Sauer -Danfoss. It fulfils the requirements of pollutants emission directives 97/68/ECE Stage 1 and EPA/CARB Tier1. The machine meets the CE marking conditions. **Blade version available.**

## STANDARD

### VV 700 D / VV 700 PD

- Cabin ventilated and heated
- Two mode vibrator
- Articulated frame
- Interwheel differential lock
- Working halogen headlights
- Hand-pump hood and cabin tilting
- Painting STA: yellow, grey

### VV 700 D

- Tyres 14,9-24 tread R3 (8 PR)

### VV 700 PD

- Tyres 14,9-24 TT tread R1(TD-02) (8 PR)

## OPTIONS

### VV 700 D / VV 700 PD

- Operator platform without cabin with rails
- Lockable vandal guard
- Dozing blade
- Diff lock interaxle ASC
- Electrohydraulic cabin and hood tilting
- ROPS protection (obligatory for CE)
- Cabin FOPS protection
- ROPS canvas canopy (mounted to ROPS)
- FOPS sun roof (mounted to ROPS)
- Air conditioning
- Compaction indicator
- Compaction indicator printer
- Alternator safety screen
- Fan safety screen
- Turn indicators
- Beacon
- Back up alarm
- Engine speed indicator
- Tyres ballast liquid filling to 0 centigrades
- Tyres ballast liquid filling to minus 25 centigrades
- Special painting

### VV 700 D

- Segment kit 120 pad
- Tyres 14,9-24 TT tread R1 (TD-02) (8 PR) instead of standard ones

### VV 700 PD

- Tyres 14,9-24 tread R3 (8 PR) instead of standard ones

## MAXIMAL COMPACTED LIFT THICKNESS AT OPTIMAL WORKING CONDITIONS (m)

	Rockfill	Sand/Gravel	Mixed soils	Silt	Clay	Stabilization
VV 700 D	-	0,45 m	0,35 m	0,25 m	0,15 m	-
VV 700 PD	-	-	0,35 m	0,25 m	0,20 m	-



**STAVOSTROJ, a.s.**  
 Náchodská 145, 549 01 Nové Město nad Metují, Czech Republic  
 phone: +420 491 476 111  
 fax: +420 491 470 215, 491 470 405  
 e-mail: stavo@sta.cz, stasales@sta.cz, www.sta.cz

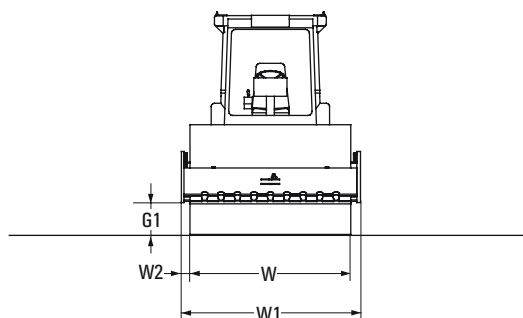
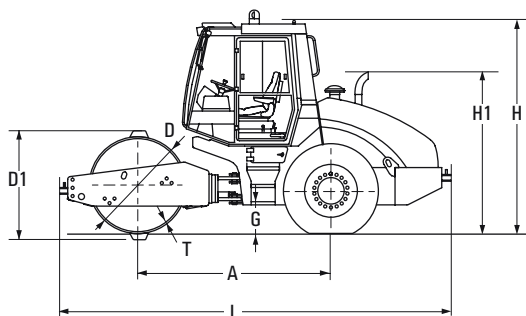
CERTIFICATED:  
**ISO 9001**

# VV 700 D VV 700 PD



SINGLE DRUM ROLLERS - SMOOTH & PADDED (7 t)

size (mm)	A	D	D1	G	G1	H	H1	L	T	W	W1	W2
<b>VV 700 D</b>	2560	1300		385	375	2870	2200	5195	25	1680	1880	95
<b>VV 700 PD</b>	2560	1240	1400	385	375	2870	2200	5195	15	1680	1880	95



## CAPACITY

	VV 700 D	VV 700 PD
Operating weight (CECE)	7140 kg	7085 kg

## WEIGHTS

Ballast	420 kg	420 kg
Operating weight maximum	7675 kg	7620 kg
Drum load (CECE)	4020 kg	3965 kg
Axle load (CECE)	3120 kg	3120 kg
Static linear load	23,9 kg/cm	

## DRUM

No. of pad feet		104
Height of pad		80 mm
Contact area of one pad foot		114 cm <sup>2</sup>

## STEERING

Steering angle (+ -)	36 deg	36 deg
Oscillation angle (+ -)	12 deg	12 deg
Turning radius inner (edge)	3090 mm	3090 mm
Transversal stability - straight	32 deg	32 deg

## RIDING CHARACTERISTIC

No. of travel speeds	4	4
Maximal speed	12 km/h	12,2 km/h
Gradeability without vibration	45%	45%
Gradeability with vibration	45%	45%

## BRAKES

Operation	Hydrostatic	Hydrostatic
Parking	Multi disc	Multi disc
Emergency	Multi disc	Multi disc

## VIBRATION

Amplitudes	1,7 / 0,86 mm	1,7 / 0,86 mm
Frequencies	30 / 40 Hz	30 / 40 Hz
Centrifugal forces	145 / 130 kN	145 / 130 kN

## TANKS

Fuel	275 lt	275 lt
------	--------	--------

## ELEKTROINSTALLATION

Voltage	24 V	24 V
Capacity of batteries	2x61 Ah	2x61 Ah

## ENGINE

Make	Cummins	Cummins
Type	4BT3.9-C99	4BT3.9-C99
Rated power	74 kW	74 kW
Standard	ISO 3046/1 (DIN 6271)	ISO 3046/1 (DIN 6271)

Technical modifications and data reserved. Machines may be shown with options.



**STAVOSTROJ, a.s.**

Náchodská 145, 549 01 Nové Město nad Metují, Czech Republic

phone: +420 491 476 111

fax: +420 491 470 215, 491 470 405

e-mail: stavo@sta.cz, stasales@sta.cz, www.sta.cz

CERTIFICATED:  
**ISO 9001**